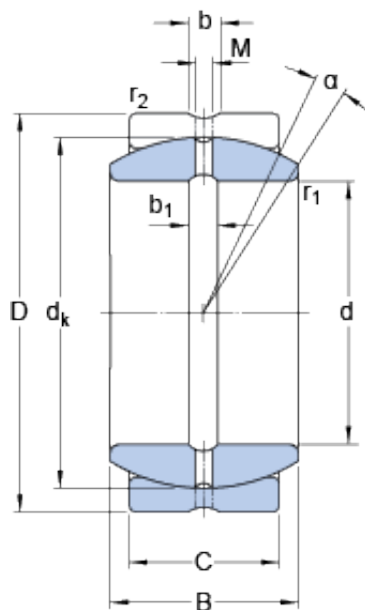




## LINK BELT BEARING LTD

88.9 mm x 139.7 mm x 77.775 mm SKF GEZ  
308 ES JAPAN Bearing 88.9\*139.7\*77.78

Bearing No. GEZ 308 ES



GEZ 308 ES Bearing 2D drawings and 3D CAD models

Size	139.7x88.9x77.775 mm
Bore Diameter	139,7 mm
Outer Diameter	88,9 mm
Width	77,775 mm
d	88.9 mm
D	139.7 mm
B	77.775 mm
C	66.675 mm
	6 °
d <sub>k</sub>	128.016 mm
b	10.5 mm
b <sub>1</sub>	8 mm
M	6.5 mm
r <sub>1</sub> - min.	0.6 mm
r <sub>2</sub> - min.	1 mm
d <sub>a</sub> - min.	94.6 mm
d <sub>a</sub> - max.	101.7 mm
D <sub>a</sub> - min.	121.6 mm
D <sub>a</sub> - max.	133.8 mm
r <sub>a</sub> - max.	0.6 mm
r <sub>b</sub> - max.	1 mm
Basic dynamic load rating - C	680 kN
Basic static load rating - C <sub>0</sub>	2040 kN
Specific factor dinamic load - K	100 N/mm <sup>2</sup>



## LINK BELT BEARING LTD

Specific factor static load - $K_0$	300 N/mm <sup>2</sup>
Constant - $K_M$	330
Category	Spherical Plain Bearings - Radial
Inventory	0.0
Manufacturer Name	SKF
Minimum Buy Quantity	N/A
Weight / Kilogram	4.81
Product Group	B04264
Self Aligning	Yes
Rolling Element	Spherical Plain
Material - Outer Member	Steel
Material - Ball	Steel
Material - Liner	Not Applicable
Relubricatable	Yes
Enclosure	Open
Other Features	2 Piece   Lubrication Hole and an Annular Groove in Both Rings
Long Description	3-1/2" Bore; 2-5/8" Housing Width; 5-1/2" Outside Diameter; Steel Outer Member; Steel Ball; No Liner; 3-1/16" Overall Width; Relubricatable
Inch - Metric	Inch
Category	Plain Bearings Spherical Radial
UNSPSC	31171515
Harmonized Tariff Code	8483.30.80.70
Noun	Bearing
Keyword 3	Spherical
Keyword String	Plain Spherical Radial
Manufacturer URL	<a href="http://www.skf.com">http://www.skf.com</a>



## LINK BELT BEARING LTD

Manufacturer Item Number	GEZ 308 ES
Weight / LBS	10.6
Outside Diameter	5.5 Inch   139.7 Millimeter
Housing Width	2.625 Inch   66.675 Millimeter
Bore	3.5 Inch   88.9 Millimeter
Overall Width	3.062 Inch   77.775 Millimeter
bore diameter:	3.5000 in
outer ring width:	2.6250 in
outside diameter:	5.5000 in
grade:	Commercial/Industrial
misalignment angle:	6 °
overall width:	3.0620 in
inner ring width:	3.0620 in
radial static load capacity:	458610 lbf
bearing type:	Radial
radial dynamic load capacity:	152870 lbf
lubrication type:	Requires Lubrication
operating temperature range:	-50 to +200 ° C ° F
closure type:	Open
weight:	10.60 lbs
outer ring material:	Chrome Steel
manufacturer product page:	<a href="#">Click here</a>
inner ring material:	Chrome Steel
manufacturer upc number:	7316576612411
Lubricant	Regular relubrication – grease
Design (sliding contact surface combination)	Steel/steel
Sealing solution	-
	6 °



## LINK BELT BEARING LTD

$d_k$	128.016 mm
$b_1$	8 mm
$r_1$ min.	0.6 mm
$r_2$ min.	1 mm
$d_a$ min.	94.6 mm
$d_a$ max.	101.7 mm
$D_a$ min.	121.6 mm
$D_a$ max.	133.8 mm
$r_a$ max.	0.6 mm
$r_b$ max.	1 mm
Basic dynamic load rating C	680 kN
Basic static load rating $C_0$	2040 kN
Specific dynamic load factor K	100 N/mm <sup>2</sup>
Specific static load factor $K_0$	300 N/mm <sup>2</sup>
Material constant $K_M$	330
Mass plain bearing	4.8 kg