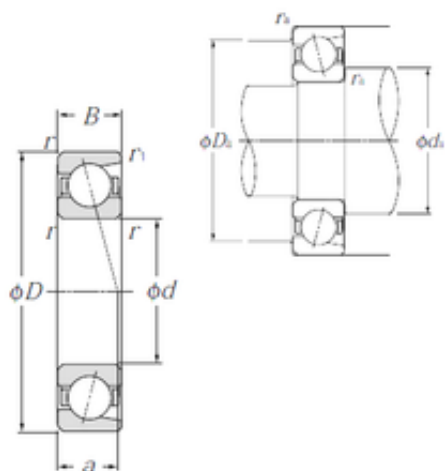




# LINK BELT BEARING LTD

60 mm x 130 mm x 31 mm NTN 7312B JAPAN  
Bearing 60\*130\*31



Bearing No. 7312B

Size	60x130x31 mm
Bore Diameter	60 mm
Outer Diameter	130 mm
Width	31 mm
d	60 mm
D	130 mm
B	31 mm
C	31 mm
Angle ( ° )	40 °
a	56 mm
r min.	2,1 mm
r1 min.	1,1 mm
da min.	72 mm
db min	67 mm
ra max.	2 mm
Weight	1,77 Kg
Basic dynamic load rating (C)	90 kN
Basic static load rating (C0)	66 kN
(Grease) Lubrication Speed	5 100 r/min
Contact angle	40 °
rs min	2.1 mm
r1s min	1.1 mm
Mass	1.77 kg
Dynamic load, C	90 kN
Static load, C0	66 kN

7312B Bearing 2D drawings and 3D CAD models



## LINK BELT BEARING LTD

Fatigue limit load, Cu	3 kN
Nlim (oil)	6,800 rpm
Nlim (grease)	5,100 rpm
Min operating temperature, Tmin	-40 ° C
Max operating temperature, Tmax	120 ° C
da min	72 mm
Da max	118 mm
Db max	123 mm
r1a max	1 mm
ra max	2 mm
Category	Angular Contact Ball Bearings
Inventory	0.0
Manufacturer Name	NTN
Minimum Buy Quantity	N/A
Weight / Kilogram	1.77
Product Group	B00308
Enclosure	Open
Flush Ground	No
Rolling Element	Ball Bearing
Number of Rows of Balls	Single Row
Precision Class	ABEC 1   ISO P0
Maximum Capacity / Filling Slot	No
Snap Ring	No
Cage Material	Steel
Contact Angle	40 Degree
Internal Clearance	C0-Medium
Number of Bearings	1 (Single)
Inch - Metric	Metric
Long Description	60MM Bore; 130MM Outside Diameter; 31MM



## LINK BELT BEARING LTD

	Width; Open; No Flush Ground; Ball Bearing; Single Row of Balls; ABEC 1   ISO P0; No Filling Slot; No Snap Ring
Category	Angular Contact Ball Bearing
UNSPSC	31171531
Harmonized Tariff Code	8482.10.50.28
Noun	Bearing
Keyword String	Angular Contact
Manufacturer URL	<a href="http://www.ntnamerica.com">http://www.ntnamerica.com</a>
Manufacturer Item Number	7312B
Weight / LBS	3.89
Outside Diameter	5.118 Inch   130 Millimeter
Width	1.22 Inch   31 Millimeter
Bore	2.362 Inch   60 Millimeter
bore diameter:	60 mm
radial static load capacity:	66000 N
outside diameter:	130 mm
operating temperature range:	-40 to 120 ° C
overall width:	31 mm
cage material:	Steel
contact angle:	40 °
outer ring width:	31 mm
row type & fill slot:	Single-Row Non-Fill Slot
maximum rpm:	6800 rpm
internal clearance:	C0
finish/coating:	Uncoated
bore type:	Round
precision rating:	ISO Class 0
closure type:	Open



## LINK BELT BEARING LTD

fillet radius:	2.1 mm
snap ring included:	Without Snap Ring
series:	73B
bearing material:	High Carbon Chrome Steel
weight:	1.760 kg
radial dynamic load capacity:	90000 N
manufacturer product page:	<a href="#">Click here</a>