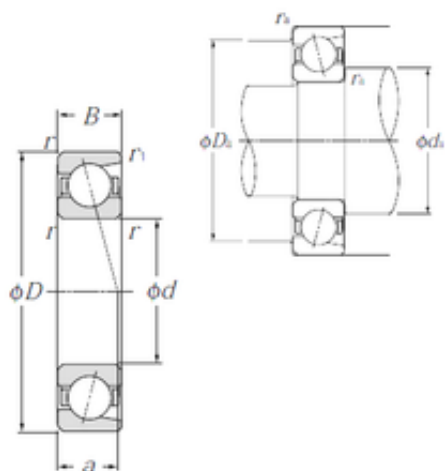




LINK BELT BEARING LTD

35 mm x 80 mm x 21 mm NTN 7307B JAPAN Bearing 35X80X21



Bearing No. 7307B

Size	35x80x21 mm
Bore Diameter	35 mm
Outer Diameter	80 mm
Width	21 mm
d	35 mm
D	80 mm
B	21 mm
C	21 mm
Angle (°)	40 °
a	34,5 mm
r min.	1,5 mm
r1 min.	1 mm
da min.	43,5 mm
db min	40,5 mm
ra max.	1,5 mm
Weight	0,469 Kg
Basic dynamic load rating (C)	36,5 kN
Basic static load rating (C0)	24,2 kN
(Grease) Lubrication Speed	8 400 r/min
Contact angle	40 °
rs min	1.5 mm
r1s min	1 mm
Mass	0.47 kg
Dynamic load, C	34.6 kN
Static load, C0	22.2 kN

7307B Bearing 2D drawings and 3D CAD models



LINK BELT BEARING LTD

Fatigue limit load, Cu	1.01 kN
Nlim (oil)	11,000 rpm
Nlim (grease)	8,400 rpm
Min operating temperature, Tmin	-40 ° C
Max operating temperature, Tmax	120 ° C
Characteristic cage frequency, FTF	0.41 Hz
Characteristic rolling element frequency, BSF	4.13 Hz
Characteristic outer ring frequency, BPF0	4.51 Hz
Characteristic inner ring frequency, BRF1	6.49 Hz
da min	43.5 mm
Da max	71.5 mm
Db max	74.5 mm
r1a max	1 mm
ra max	1 mm
Category	Angular Contact Ball Bearings
Inventory	0.0
Manufacturer Name	NTN
Minimum Buy Quantity	N/A
Weight / Kilogram	0.466
Product Group	B00308
Enclosure	Open
Flush Ground	No
Rolling Element	Ball Bearing
Number of Rows of Balls	Single Row
Precision Class	ABEC 1 ISO P0
Maximum Capacity / Filling Slot	No
Snap Ring	No



LINK BELT BEARING LTD

Cage Material	Steel
Contact Angle	40 Degree
Internal Clearance	C0-Medium
Number of Bearings	1 (Single)
Inch - Metric	Metric
Long Description	35MM Bore; 80MM Outside Diameter; 21MM Width; Open; No Flush Ground; Ball Bearing; Single Row of Balls; ABEC 1 ISO P0; No Filling Slot; No Snap Ring
Category	Angular Contact Ball Bearing
UNSPSC	31171531
Harmonized Tariff Code	8482.10.50.28
Noun	Bearing
Keyword String	Angular Contact
Manufacturer URL	http://www.ntnamerica.com
Manufacturer Item Number	7307B
Weight / LBS	1.03
Width	0.827 Inch 21 Millimeter
Outside Diameter	3.15 Inch 80 Millimeter
Bore	1.378 Inch 35 Millimeter
bore diameter:	35 mm
radial static load capacity:	24200 N
outside diameter:	80 mm
operating temperature range:	-40 to 120 ° C
overall width:	21 mm
cage material:	Steel
contact angle:	40 °
outer ring width:	21 mm
row type & fill slot:	Single-Row Non-Fill Slot



LINK BELT BEARING LTD

maximum rpm:	11000 rpm
internal clearance:	C0
finish/coating:	Uncoated
bore type:	Round
precision rating:	ISO Class 0
closure type:	Open
fillet radius:	1.5 mm
snap ring included:	Without Snap Ring
series:	73B
bearing material:	High Carbon Chrome Steel
weight:	0.466 kg
radial dynamic load capacity:	36500 N
manufacturer product page:	Click here