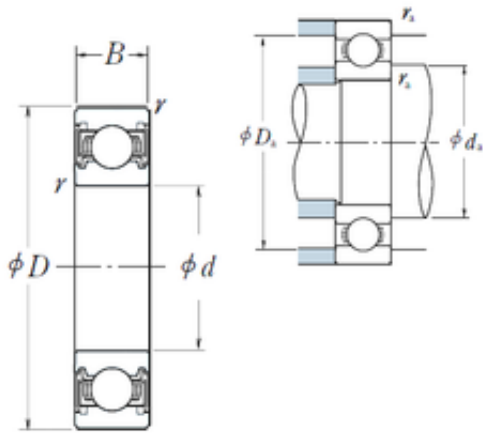




LINK BELT BEARING LTD



10 mm x 22 mm x 6 mm NSK 6900VV JAPAN
Bearing 10 × 22 × 6

Bearing No. 6900VV

6900VV Bearing 2D drawings and 3D CAD models

Size	10x22x6 mm
Bore Diameter	10 mm
Outer Diameter	22 mm
Width	6 mm
d	10 mm
D	22 mm
B	6 mm
C	6 mm
r min.	0,3 mm
da min.	12 mm
da max	12,5 mm
Da max.	20 mm
ra max.	0,3 mm
Weight	0,009 Kg
Basic dynamic load rating (C)	2,7 kN
Basic static load rating (C0)	1,27 kN
(Grease) Lubrication Speed	32 000 r/min
Category	Single Row Ball Bearings
Inventory	5.0
Manufacturer Name	NSK
Minimum Buy Quantity	N/A
Weight / Kilogram	0.01
Product Group	B00308
Enclosure	2 Seals
Precision Class	ABEC 1 ISO P0



LINK BELT BEARING LTD

Maximum Capacity / Filling Slot	No
Rolling Element	Ball Bearing
Snap Ring	No
Internal Special Features	No
Cage Material	Steel
Enclosure Type	Non-Contact Seal
Internal Clearance	C0-Medium
Inch - Metric	Metric
Long Description	10MM Bore; 22MM Outside Diameter; 6MM Outer Race Diameter; 2 Seals; Ball Bearing; ABEC 1 ISO P0; No Filling Slot; No Snap Ring; No Internal Special Features
Category	Single Row Ball Bearing
UNSPSC	31171504
Harmonized Tariff Code	8482.10.50.68
Noun	Bearing
Keyword String	Ball
Manufacturer URL	http://www.nskamericas.com
Manufacturer Item Number	6900VV
Weight / LBS	0.009
Outside Diameter	0.866 Inch 22 Millimeter
Outer Race Width	0.236 Inch 6 Millimeter
Bore	0.394 Inch 10 Millimeter
SRI	1.64
hidYobi	6900VV
LangID	1
D_	22
SREX	0.015
B_	6
da min	12



LINK BELT BEARING LTD

hidTable	ecat_NSRDGB
SRE	1.64
mass	0.009
GRS rpm	32000
ra	0.3
SRIX	0.015
D_a	20
SRIN	-0.015
C0	1.27
fo	14
SREN	-0.015
DE_	19.175
Prod_Type3	DGBB_SR_VV
DA_	3.175
bomp	0
Z_	9
yobi	6900VV
C_conv	2700
ALPHA_	0
SDM_	16
r	0.3
KBRG	6151
SBRG	19
DI_	12.825