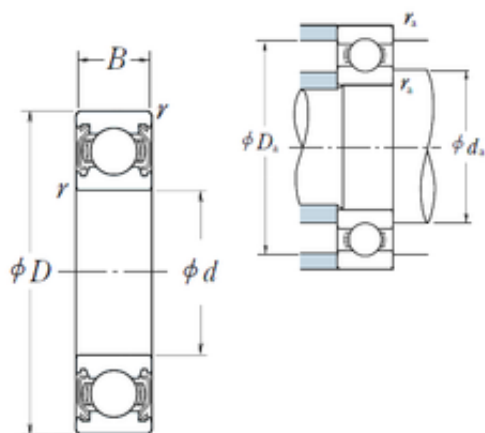




# LINK BELT BEARING LTD



## 20 mm x 32 mm x 7 mm NSK 6804ZZ JAPAN Bearing 20\*32\*7

Bearing No. 6804ZZ

6804ZZ Bearing 2D drawings and 3D CAD models

Size	20x32x7 mm
Bore Diameter	20 mm
Outer Diameter	32 mm
Width	7 mm
d	20 mm
D	32 mm
B	7 mm
C	7 mm
r min.	0,3 mm
da min.	22 mm
da max	22 mm
Da max.	30 mm
ra max.	0,3 mm
Weight	0,017 Kg
Basic dynamic load rating (C)	4 kN
Basic static load rating (C0)	2,47 kN
(Grease) Lubrication Speed	22 000 r/min
Category	Single Row Ball Bearings
Inventory	0.0
Manufacturer Name	NSK
Minimum Buy Quantity	N/A
Weight / Kilogram	0.01
Product Group	B00308
Enclosure	2 Metal Shields
Precision Class	ABEC 1   ISO P0



## LINK BELT BEARING LTD

Maximum Capacity / Filling Slot	No
Rolling Element	Ball Bearing
Snap Ring	No
Internal Special Features	No
Cage Material	Steel
Internal Clearance	C0-Medium
Inch - Metric	Metric
Long Description	20MM Bore; 32MM Outside Diameter; 7MM Outer Race Diameter; 2 Metal Shields; Ball Bearing; ABEC 1   ISO P0; No Filling Slot; No Snap Ring; No Internal Special Features
Category	Single Row Ball Bearing
UNSPSC	31171504
Harmonized Tariff Code	8482.10.50.68
Noun	Bearing
Keyword String	Ball
Manufacturer URL	<a href="http://www.nskamericas.com">http://www.nskamericas.com</a>
Weight / LBS	0.787
Outer Race Width	0.276 Inch   7 Millimeter
Outside Diameter	1.26 Inch   32 Millimeter
Bore	0.787 Inch   20 Millimeter
bore diameter:	20 mm
static load capacity:	2470 N
outside diameter:	32 mm
precision rating:	Not Rated
overall width:	7 mm
finish/coating:	Uncoated
bore type:	Round
cage material:	Steel
closure type:	Double Shielded



## LINK BELT BEARING LTD

outer ring width:	7 mm
row type & fill slot:	Single Row Non-Fill Slot
fillet radius:	0.3 mm
internal clearance:	C0
maximum rpm:	26000 RPM
operating temperature range:	-10 to +110 ° C
series:	68
dynamic load capacity:	4000 N
SRI	1.81
hidYobi	6804ZZ
LangID	1
D_	32
SREX	0.015
B_	7
da min	22
hidTable	ecat_NSRDGB
SRE	1.81
mass	0.017
GRS rpm	22000
ra	0.3
SRIX	0.015
D_a	30
SRIN	-0.015
C0	2.47
fo	15.5
SREN	-0.015
DE_	29.1
Prod_Type3	DGBB_SR_ZZ
DA_	3.5
bomp	0
Z_	13



## LINK BELT BEARING LTD

yobi	6804ZZ
C_conv	4000
ALPHA_	0
SDM_	25.6
r	0.3
KBRG	6141
SBRG	18
DI_	22.1