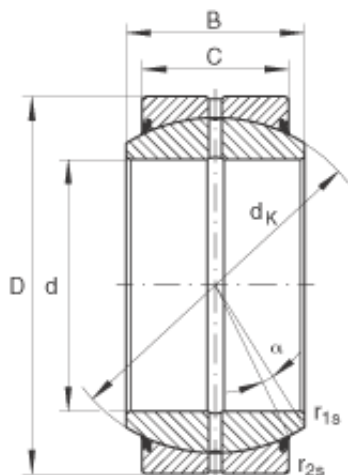




LINK BELT BEARING LTD



INA GE80-DO-2RS GERMANY Bearing 80*130*75

Bearing No. GE80-DO-2RS

GE80-DO-2RS Bearing 2D drawings and 3D CAD models

| | |
|-------------------------|-----------------------------------|
| Size | 80x120x55 mm |
| Bore Diameter | 80 mm |
| Outer Diameter | 120 mm |
| Width | 55 mm |
| C | 45 mm |
| D _{a min} | 99 mm |
| d _{a max} | 89,4 mm |
| d _k | 105 mm |
| r _{1s min} | 1 mm |
| r _{2s min} | 1 mm |
| alf (°) | 6 |
| Weight (kg) | 2,2 |
| C _r (N) | 402000 |
| C _{0r} (N) | 2010000 |
| Category | Spherical Plain Bearings - Radial |
| Inventory | 0.0 |
| Manufacturer Name | SCHAEFFLER GROUP |
| Minimum Buy Quantity | N/A |
| Weight / Kilogram | 2.694 |
| EAN | 4012802530810 |
| Product Group | B04286 |
| Self Aligning | Yes |
| Rolling Element | Spherical Plain |
| Material - Outer Member | Steel |



LINK BELT BEARING LTD

| | |
|--------------------------|--|
| Material - Ball | Steel |
| Material - Liner | Not Applicable |
| Relubricatable | Yes |
| Enclosure | 2 Seals |
| Other Features | 2 Piece Single Axial Split in Outer Ring |
| Long Description | 80MM Bore; 45MM Housing Width; 120MM Outside Diameter; Spherical Plain; Steel Outer Member; Steel Ball; No Liner; 55MM Overall Width; Relubricatable |
| Inch - Metric | Metric |
| Category | Plain Bearings Spherical Radial |
| UNSPSC | 31171515 |
| Harmonized Tariff Code | 8483.30.80.70 |
| Noun | Bearing |
| Keyword 3 | Spherical |
| Keyword String | Plain Spherical Radial |
| Manufacturer URL | http://www.ina.com |
| Manufacturer Item Number | GE80DO2RS |
| Weight / LBS | 4.851 |
| Overall Width | 2.165 Inch 55 Millimeter |
| Outside Diameter | 4.724 Inch 120 Millimeter |
| Housing Width | 1.772 Inch 45 Millimeter |
| Bore | 3.15 Inch 80 Millimeter |