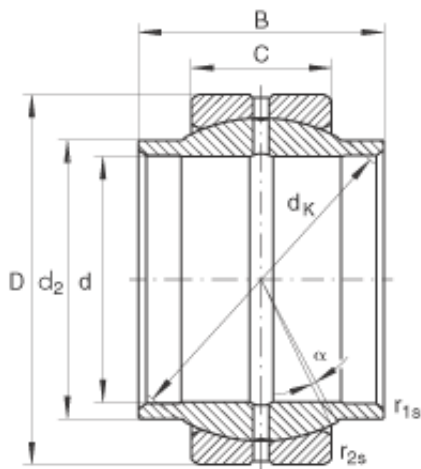




LINK BELT BEARING LTD



GE100-LO Bearing 2D drawings and 3D CAD models

INA GE100-LO GERMANY Bearing 100*150*70

Bearing No. GE100-LO

Size	100x150x100 mm
Bore Diameter	100 mm
Outer Diameter	150 mm
Width	100 mm
C	55 mm
$D_{a \min}$	123 mm
d_2	113 mm
d_k	130 mm
$r_{1s \min}$	1 mm
$r_{2s \min}$	1 mm
α (°)	4
Weight (kg)	4,7
C_r (N)	608000
C_{0r} (N)	3040000
Category	Spherical Plain Bearings - Radial
Inventory	0.0
Manufacturer Name	SCHAEFFLER GROUP
Minimum Buy Quantity	N/A
Weight / Kilogram	0
EAN	4012802283549
Product Group	B04264
Component	Complete with Outer and Inner Ring
Self Aligning	Yes



LINK BELT BEARING LTD

Rolling Element	Spherical Plain Bearing
Material - Outer Member	Steel
Material - Ball	Steel
Material - Liner	Not Applicable
Relubricatable	Yes
Enclosure	Open
Other Features	2 Piece Extended Inner Ring on Both Sides Axially Split Outer Ring
Long Description	100MM Bore; 55MM Housing Width; 150MM Outside Diameter; Complete with Outer and Inner Ring; Self Aligning; Spherical Plain Bearing; Steel Outer Member; Steel Ball; Open; 100MM Overall Width; Relubrica
Inch - Metric	Metric
Category	Plain Bearings Spherical Radial
UNSPSC	31171515
Harmonized Tariff Code	8483.30.80.70
Noun	Bearing
Keyword 3	Spherical
Keyword String	Plain Radial Spherical
Manufacturer URL	http://www.ina.com
Manufacturer Item Number	GE100LO
Weight / LBS	10.58
Outside Diameter	5.906 Inch 150 Millimeter
Overall Width	3.937 Inch 100 Millimeter
Bore	3.937 Inch 100 Millimeter
Housing Width	2.165 Inch 55 Millimeter